

Porta tagliafuoco ad anta MAGNUM REI 120

Chiusura tagliafuoco adatta per chiudere vani di grandi dimensioni, quando non sia possibile installare il portone Novoslide o dimensioni vano non copribili dalla porte Elite. Fornita con certificato a norma di Legge.

Caratteristiche tecniche:

- Costruita con moduli complanari in acciaio isolato internamente con pacco coibente ad alta densità.
- Telaio in acciaio tubolare mm. 60x90, idoneo al montaggio in luce o in battuta.
- Di serie: chiudiporta aereo su entrambe le ante, cerniere a cuscinetto registrabili, serratura antincendio, coppia di maniglie nere con placca, cilindro con tre chiavi.
- Varianti realizzabili: oltre alla finitura superficiale nel colore RAL, possibile costruzione in acciaio inox.



Porta Magnum REI 120 a due ante, cerniere e chiudiporta aerei in acciaio inox, elettromagneti, lato tirare.
Magnum two leaves, stainless steel hinges and door closers, electromagnets, pull side.



Dettaglio cerniera.
Hinge detail.

Fire proof door MAGNUM REI 120

Fire proof closure suitable for big wall openings, when the sliding door Novoslide doesn't fit or in case the Elite door cannot close the opening.
Supplied with certification.

Technical details:

- Constituted by modular steel panels isolated with high density material inside.
- Frame in steel tubular mm. 60x90, suitable to be mounted in the opening or behind the wall.
- Standard equipment: door closers on both leaves, hinges with adjustable bearings, fire proof lock, black handles with long plate, cylinder with three keys.
- Possible finishing with painting in Ral colors or stainless steel realization.

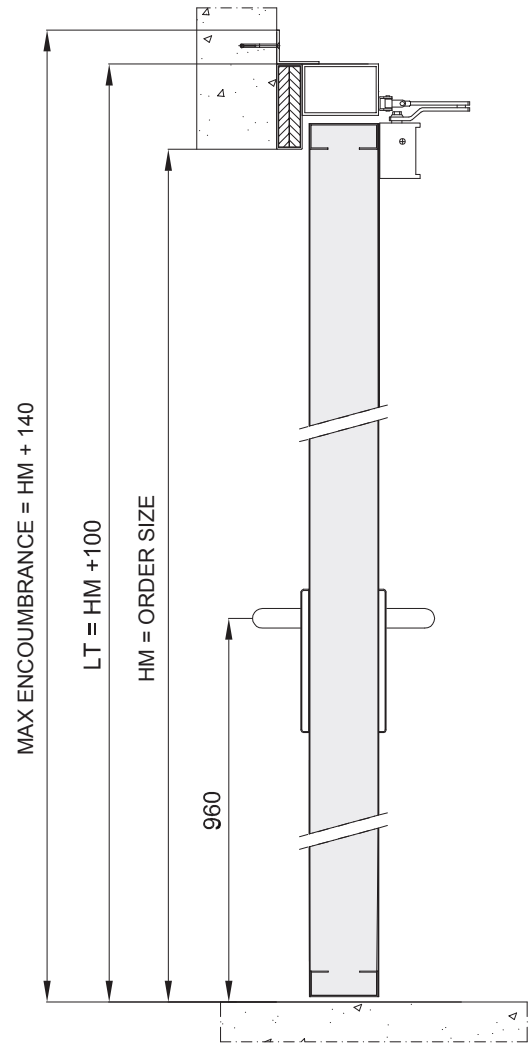
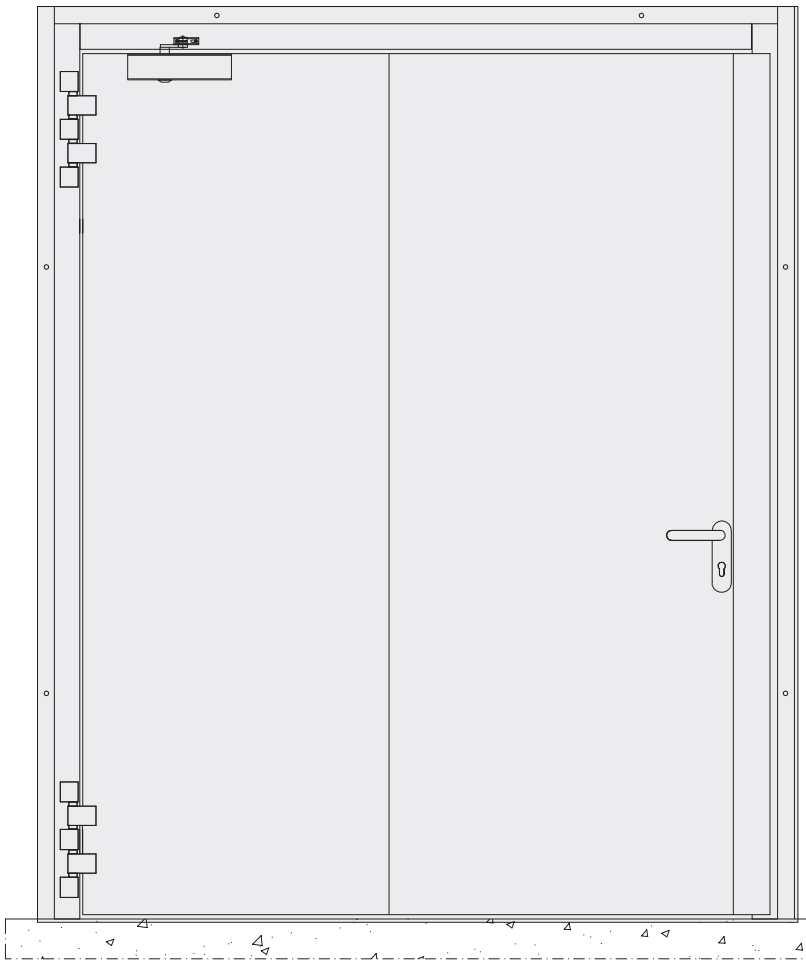


Portone Novoslide REI 120 in parcheggio interrato.
Novoslide REI 120 in underground parking.



Porta Magnum REI 120 a due ante, elettromagneti, lato tirare.
Magnum two leaves, electromagnets, pull side.

MAGNUM REI 120, big size door mounted behind the wall

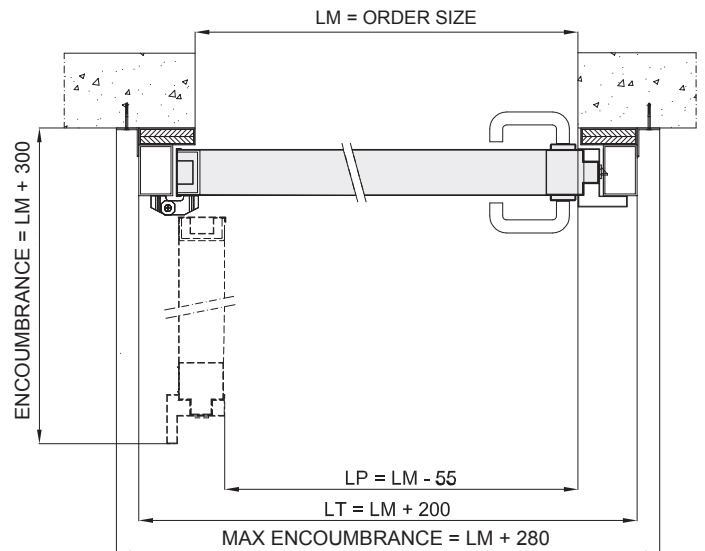


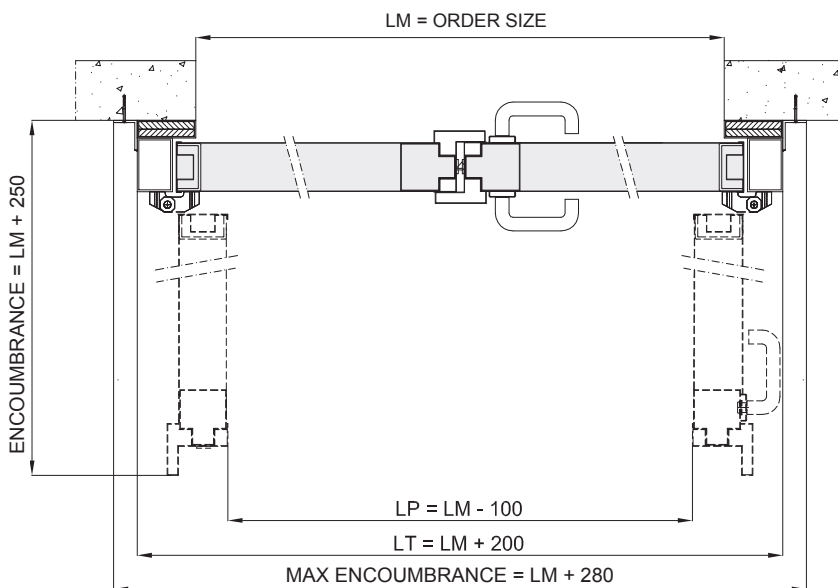
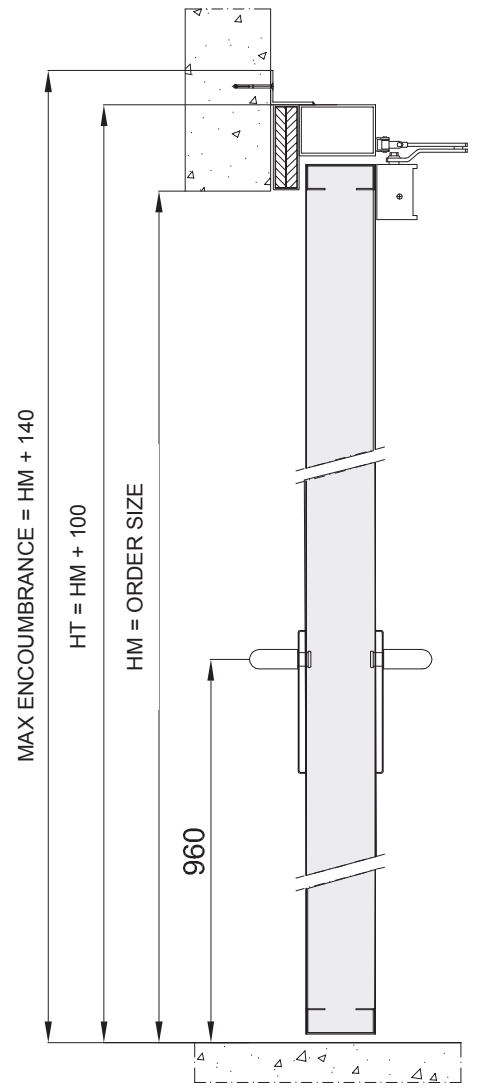
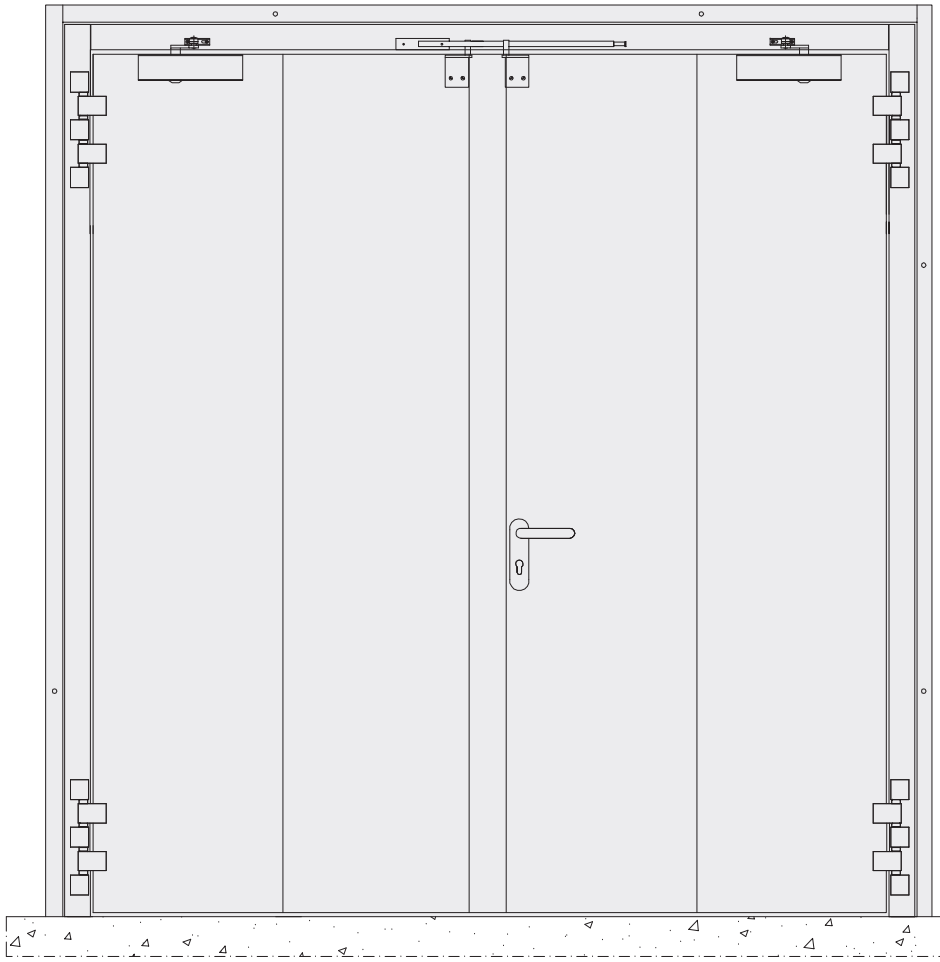
Magnum fire proof door, certified according to UNI 9723 fire resistance REI 120

- Modular panels in vertical elements (to mount on site) thickness mm.80, constituted by steel sheet 8/10 with high density insulated package inside.
- Frame in tubular steel 60x90, suitable for installing on the wall.
- Thermo-expanding gasket all around the door.
- Closing system by means of upper aerial pump and/or counterweight in case of big dimensions.
- Hinges with bearing, adjustable.
- Arm closing selector (included in double leaf door).
- Fire proof lock and cylinder with three keys.
- Flush bolt lock in secondary leaf.
- Black PVC handle.
- Superficial finish with primer colour RAL 7035 (brushed).

NOTE:

It's not possible to install Novopush panic device.





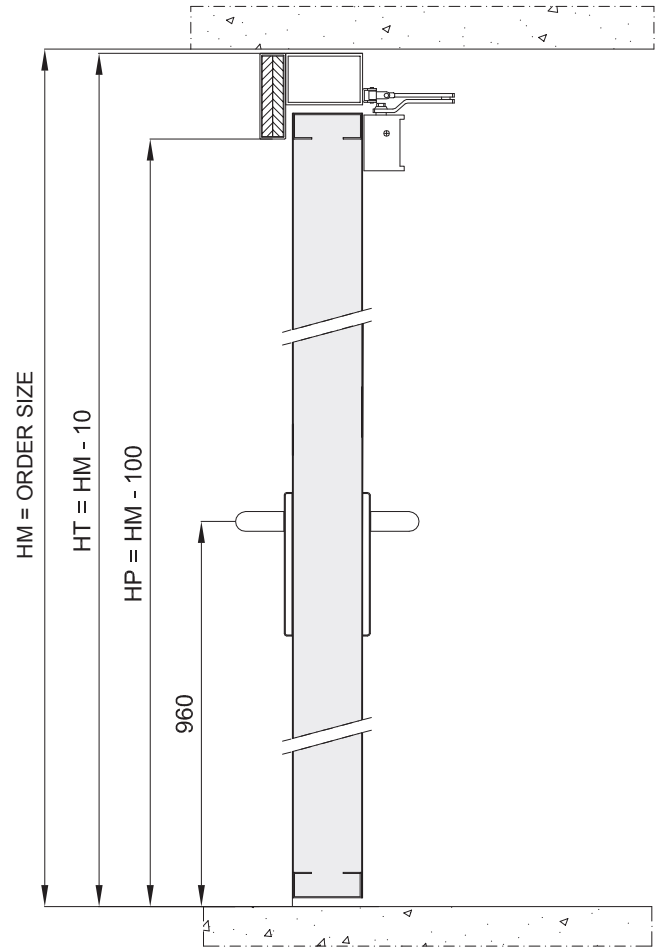
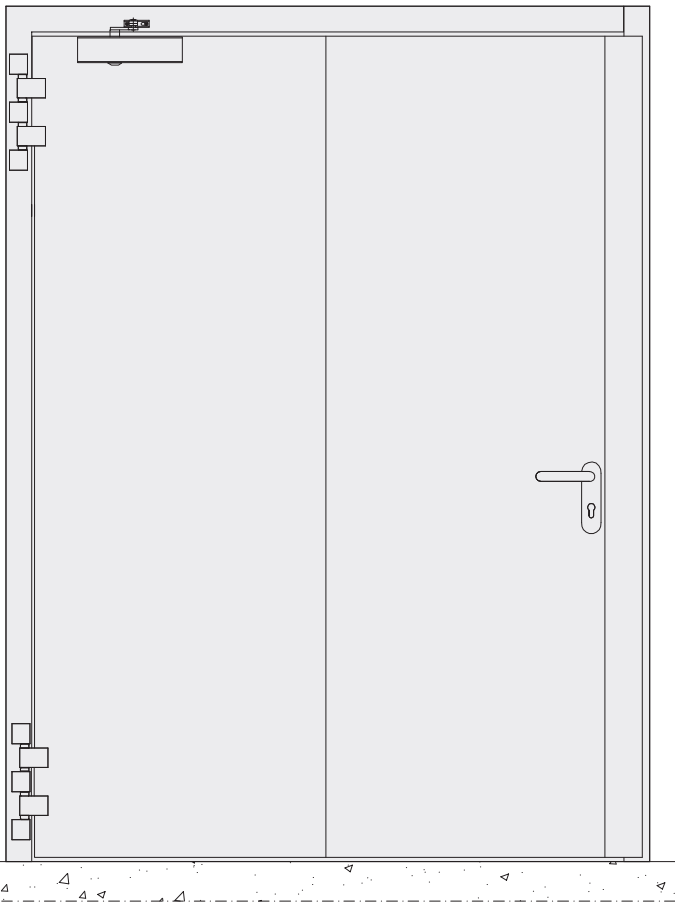
Two leaves

$LP = LFM - 154$

LNP with panic device = $LFM - 354$

LNP with PUSH device = $LFM - 300$

MAGNUM REI 120, big size door mounted in the opening (blockframe)

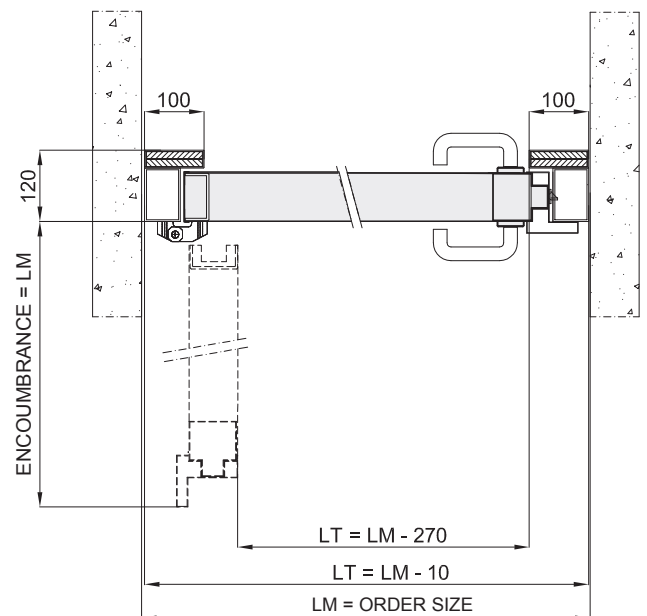


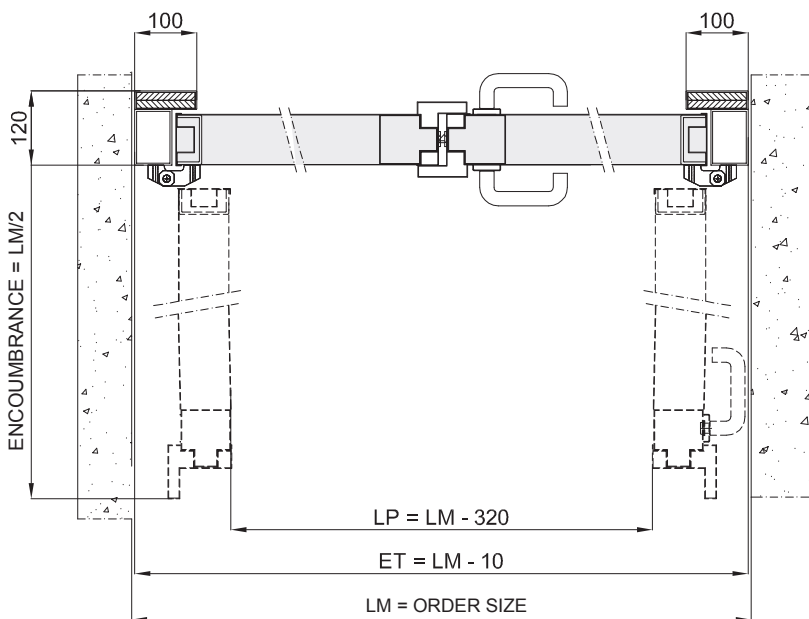
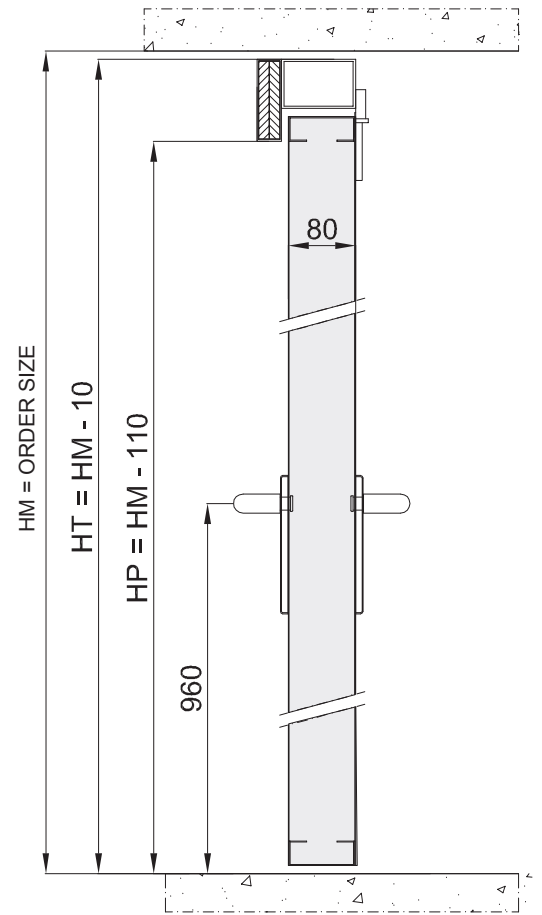
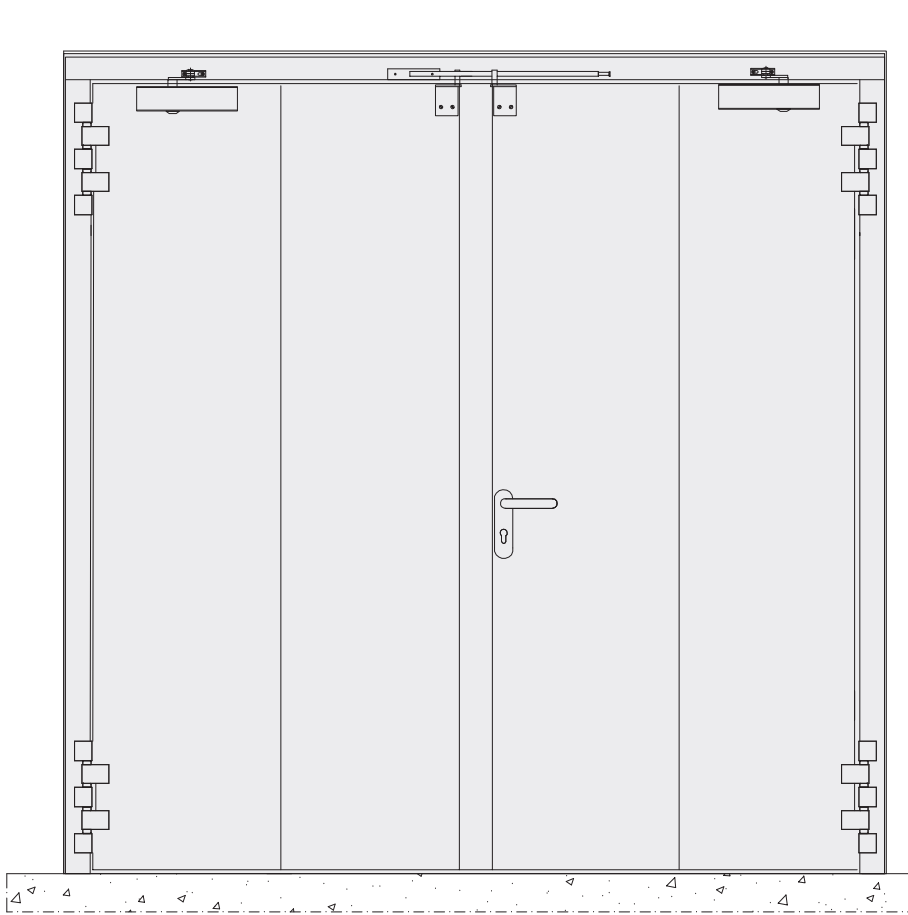
Magnum fire proof door, certified according to UNI 9723

- Modular panels in vertical elements (to mount on site) thickness mm.80, constituted by steel sheet 8/10 with high density insulated package inside.
- Frame in tubular steel 60x90, suitable for installing on the wall.
- Thermo-expanding gasket all around the door.
- Closing system by means of upper aerial pump and/or counterweight in case of big dimensions.
- Hinges with bearing, adjustable.
- Arm closing selector (included in double leaf door).
- Fire proof lock and cylinder with three keys.
- Flush bolt lock in secondary leaf.
- Black PVC handle.
- Superficial finish with primer colour RAL 7035 (brushed).

NOTE:

It's not possible to install Novopush panic device.





Two leaves

LP = LT - 360

LNP with panic device = LT - 560

LNP with PUSH device = LT - 500